

Grundfos EDIFACT D.96.A

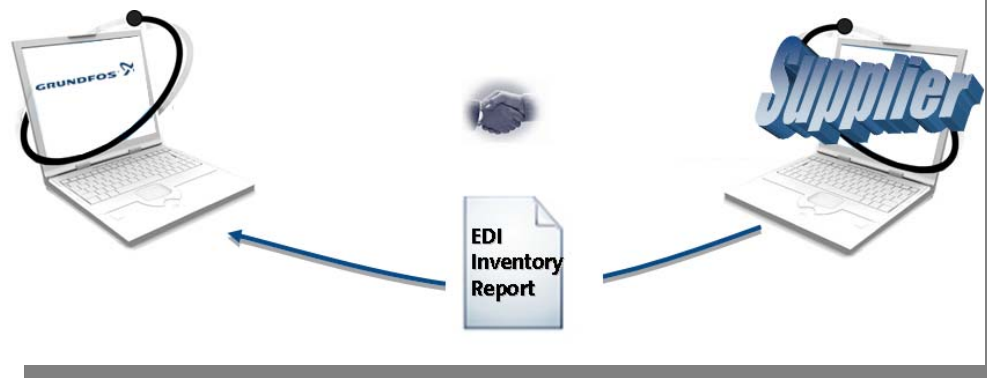
Title **INVRPT - Documentation**

Create Date 29-05-2007

Last Update 27-01-2012, version 1.02

Author Grundfos EDI Team

Owner Grundfos Group EDI Team



Prologue

Introduction The present document defines the EDIFACT **INVRPT** documentation for Grundfos suppliers – the format in which Grundfos expect to receive when exchanging EDI **INVRPT** documents from Grundfos supplier partners.

Purpose The purpose is to enable Grundfos supplier partners to apply to the EDI standard used when exchanging documents with Grundfos.

Target group EDI consultants implementing the technical EDI set-up at the Grundfos supplier partner.

About document The document takes basis in the structure of EDIFACT D96A, see figure “INVRPT structure”. For each segment in the figure a table lists the sub-element code, sub-element name, EDIFACT notation and Grundfos specific description. For each segment an example is given. At the last page an example of an EDIFACT **INVRPT** is given.

Change log

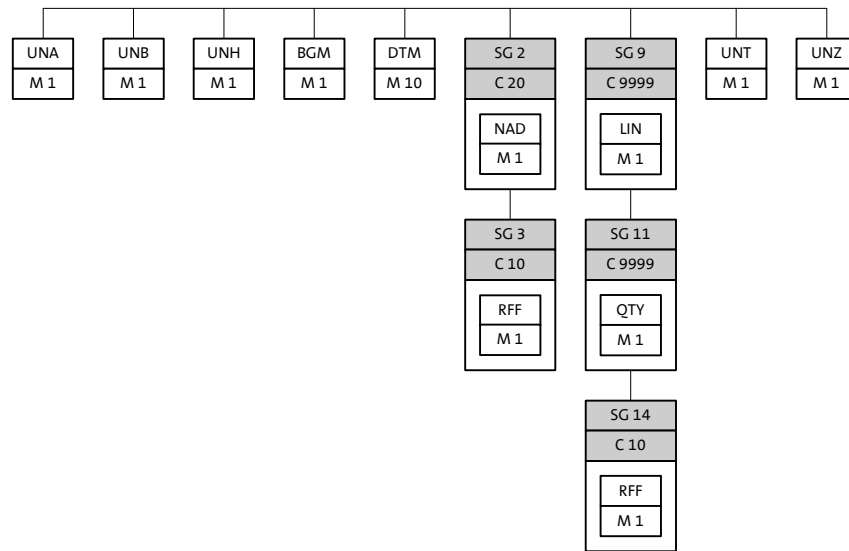
Date	Author	Description	Ver.
27-01-12	JAR	EAN location for GBJ updated from 5790000022984 to 5708601000836 in UNB	1.02
17-02-09	JAR	EAN locations added in UNB specifications	1.01
29-05-07	FFR	Document created	1.00

Content

GRUNDFOS EDIFACT D.96.A.....	1
PROLOGUE.....	2
CONTENT.....	3
GRUNDFOS EDIFACT - INVRPT STRUCTURE.....	4
UNA - SERVICE STRING ADVISE.....	5
UNB - INTERCHANGE HEADER (ENVELOPE).....	6
UNH - MESSAGE HEADER.....	8
BGM - BEGINNING OF MESSAGE.....	9
DTM - DATE/TIME/PERIOD.....	10
NAD- NAME AND ADDRESS.....	11
RFF – REFERENCE (ADE).....	13
LIN - LINE ITEM.....	14
QTY - QUANTITY.....	15
RFF – REFERENCE (CO+AAL).....	16
UNT- MESSAGE TRAILER.....	17
UNZ - INTERCHANGE TRAILER.....	18
INVENTORY REPORT MESSAGE EXAMPLE.....	19

Grundfos EDIFACT - INVRPT structure

Branching diagram of inventory report message



Communication information

Grundfos supports following communication methods:

- VAN
- FTP

FTP is the preferred communication protocol

FTP instructions will be provided on individual basis.

The VAN mailbox's are located at **Information Exchange** and are as follows:

Test environment: DKGRFOS/GBJ002

Production environment: DKGRFOS/GBJ028

UNA - Service string advise

Description To define the characters selected for use as delimiters and indicators in the rest of the interchange

Definitions	Element	EDIFACT	Grundfos specifics
	Component data element separator	M an..1	Constant = : (colon)
	Data element separator	M an..1	Constant = + (plus sign)
	Decimal notation	M an..1	Constant = , (comma) or . (period)
	Release indicator	M an..1	Constant = ? (question mark)
	Reserved	M an..1	Blank / Space
	Segment terminator	M an..1	Constant = ' (apostrophe)

Notation in EDIFACT column:

- M= Mandatory and C= Conditional
- AN=alphanumeric and N=numeric
- X= X char and ..X=max X chars

Example:

M an..15 = Field is **M**andatory, **alpha numeric** and max **15** char

Example Example:
UNA:+.?'

UNB - Interchange header (envelope)

Description To identify and specify the sender and receiver of a message.

Definitions

	Element	EDIFACT	Grundfos specifics
S001	Syntax identifier	M	
0001	Syntax identifier	M a..4	UNOC
0002	Syntax version number	M n..1	3
S002	Interchange sender	M	
0004	Sender identification	M an..35	XXXXXXXXXXXXXXXXXXXX....
0007	Partner identification code qualifier	C an..4	XXXX
0008	Address for reverse routing	C an..14	Not used
S003	Interchange recipient	M	
0010	Recipient identification	M an..35	ID's, see table below
0007	Partner identification code qualifier	C an..4	14 = EAN number
0014	Routing address	C an..14	Not used
S004	Date/time of preparation	M	
0017	Date	M n..6	YYMMDD
0019	Time	M n..4	HHMM
0020	Interchange control reference	M an..14	Unique reference assigned by sender
S005	Recipient's reference password	C	
0022	Recipient's reference / password	M an..14	Not used
0025	Recipient's reference / password qualifier	C an..2	Not used
0026	Application reference	C an..14	INVRPT
0029	Processing priority code	C a..1	Not used
0031	Acknowledgement request	C n..1	Not used
0032	Communications agreement	C an..35	Not used
0035	Test indicator	C n..1	1 = test, blank = production.

Example

Example:

**UNB+UNOC:3+ANIXTER+5708601000836:14+070525:1129+16244030++INV
RPT++++1'**

**Table of
Grundfos
Sender/receiver
ID's**
!! IMPORTANT !!

Company	Short	Test ID	Production ID
Grundfos A/S	GBJ/DK	5708601000836	5708601000126
Grundfos Sensor	SEN/DK	5708601000812	5708601000553
Grundfos Manufacturing Ltd.	GBW/GB	5708601000560	5708601000485
Grundfos CBS Inc.	GCB/US	5708601000690	5708601000706
Grundfos Environment Finland Oy Ab	GEF/FI	5708601000577	5708601000355
Grundfos Hungary Manufacturing Ltd.	GMH/HU	5708601000652	5708601000409
Grundfos Russia Manufact	GMR/RU	5708601000591	5708601000737
Grundfos Manufacturing Corp.	GMU/US	5708601000607	5708601000072
GRUNDFOS Pumps Suzhou Ltd	GPC/CN	5708601000614	5708601000621
Grundfos Handels AG Taiwan Branch	GTW/TW	5708601000638	5708601000331
Grundfos Pumpenfabrik GmbH	GWP/DE	5708601000645	5708601000065
Bombas GRUNDFOS de Mexico	GMX/MX	5708601000669	5708601000676
Pompes Grundfos S.A.S	PGF/FR	5708601000683	5708601000423
Grundfos Bio Booster A/S	GBB/DK	5708601000744	5708601000515

UNH - Message header

Description To head, identify and specify a message.

Definitions

	Element	EDIFACT	Grundfos specifics
0062	Message reference number	M an..14	Sender's unique message reference. Sequence number of the message in the interchange.
S009	Message identifier	M	
0065	Message type identifier	M an..6	INVRPT = Inventory report message
0052	Message type version number	M an..3	D
0054	Message type release number	M an..3	96A
0051	Controlling agency	M an..2	UN
0057	Association assigned code	C an..6	Not used
0068	Common access reference	C an..35	Not used
S010	Status of the transfer	C	
0070	Sequence message transfer number	M n..2	Not used
0073	First/last sequence message transfer indication	C a1	Not used

Example

Example:

UNH+051831119+INVRPT:D:96A:UN'

BGM - Beginning of message

Description To indicate the type and function of a message and to transmit the identifying number.

Definitions

	Element	EDIFACT	Grundfos specifics
C002	Document/Message	M	
1001	Document/Message name, coded	M an..3	35 = Inventory report
1131	Code list qualifier	C an..3	Not used
3055	Code list responsible agency, coded	C an..3	Not used
1000	Document/Message name	C an..35	Not used
1004	Document/Message number	C an..35	Inventory report number assigned by document sender.
1225	Message function, coded	C an..3	Not used
4343	Response type, coded	C an..3	Not used

Example

Example:
BGM+35+5231142543'

DTM - Date/time/period

Description To specify date, and/or time, or period.

Definitions

	Element	EDIFACT	Grundfos specifics
C507	Date/time/period	M	
2005	Date/time/period qualifier	M an..3	137 = Document date/time.
2380	Date/time/period	C an..35	Document date
2379	Date/time/period format qualifier	C an..3	102 = CCYYMMDD

Example

Example:

DTM+137:20060111:102'

NAD- Name and address

Description To specify the name and address and their related functions.

Definitions

	Element	EDIFACT	Grundfos specifics
3035	Party qualifier	M an..3	SU = Supplier
C082	Party identification details	C	
3039	Party id, identification	M an..35	Not used
1131	Code list qualifier	C an..3	Not used
3055	Code list responsible agency, coded	C an..3	Not used
C058	Name and address	C	
3124	Name and address line	M an..35	Company name
3124	Name and address line	C an..35	Not used
3124	Name and address line	C an..35	Not used
3124	Name and address line	C an..35	Not used
3124	Name and address line	C an..35	Not used
C080	Party name	C	
3036	Party name	M an..35	Not used
3036	Party name	C an..35	Not used
3036	Party name	C an..35	Not used
3036	Party name	C an..35	Not used
3036	Party name	C an..35	Not used
3045	Party name format, coded	C an..3	Not used
C059	Street	C	
3042	Street and number / p.o box	M an..35	Not used
3042	Street and number / p.o box	C an..35	Not used
3042	Street and number / p.o box	C an..35	Not used
3164	City name	C an..35	Not used

3229	Country sub-entity identification	C an..9	Not used
3251	Postcode identification	C an..9	Not used
3207	Country code, coded	C an..3	Not used

Example

Example:

NAD+SU++Anixter Fasteners'

RFF – Reference (ADE)

Description To specify a reference.

Definitions

	Element	EDIFACT	Grundfos specifics
C506	Reference	M	
1153	Reference qualifier	M an..3	ADE = Account number
1154	Reference number	M an..35	Account number
1156	Line number	M an..6	Not used
4000	Reference version number	M an..35	Not used

Example Example:
RFF+ADE:359523'

****IMPORTANT****

!! IMPORTANT !!

If the Grundfos company uses only one supplier number this RFF segment is optional.

If more than one supplier number is used by the Grundfos company this RFF segment is mandatory and shall be returned in it's original form (see order).

Recommended is to send this RFF segment to ensure correct inventory report.

LIN - Line item

Description To identify a line item and configuration.

Definitions

	Element	EDIFACT	Grundfos specifics
1082	Line item number	C n..6	Application generated number of the count of order response lines
1229	Action request / notification, coded	C an..3	Not used
C212	Item number identification	C	
7140	Item number	C an..35	The number of the article being ordered. Grundfos' item number.
7143	Item number type, coded	C an..3	IN = Buyer's item number
1131	Code list qualifier	C an..3	Not used
3055	Code list responsible agency, coded	C an..3	Not used
C829	Sub-line information	C	
5495	Sub-line indicator, coded	C an..3	Not used
1082	Line item number	C n..6	Not used
1222	Configuration level	C n..2	Not used
7083	Configuration, coded	C an..3	Not used

Example

Example:
[LIN+1++00ID1992:IN'](#)

QTY - Quantity

Description To specify a pertinent quantity

Definitions

	Element	EDIFACT	Grundfos specifics
C186	Quantity details	M	
6063	Quantity qualifier	M an..3	155 = Replenishment quantity
6060	Quantity	M n..15	Quantity
6411	Measure unit qualifier	C an..3	Common code from UN/CEFACT Recommendation 20

Example Example:
QTY+155:10.000:PCE' (10 pieces)

RFF – Reference (CO+AAL)

Description To specify a reference.

Definitions

	Element	EDIFACT	Grundfos specifics
C506	Reference	M	
1153	Reference qualifier	M an..3	CO = Customer order number
1154	Reference number	M an..35	Order number
1156	Line number	M an..6	Line number on the order
4000	Reference version number	C an..35	Not used

Example Example:
RFF+CO:4502392823:20'

****IMPORTANT****

!! IMPORTANT !!

The RFF+CO segment shall be returned in it's original form when the supplier is sending inventory reports.
 Element 1156 in this segment has to contain the value from element 1082 in the LIN segment on the received purchase order – not sales order line number.

UNT- Message trailer

Description To end and check completeness of a message.

Definitions

	Element	EDIFACT	Grundfos specifics
0074	Number of segments in a message	M n..6	The total number of segments in the message is detailed here.
0062	Message reference number	M an..14	The message reference numbered detailed here should equal the one specified in the UNH segment.

Example

Example:
UNT+9+051831119'

UNZ - Interchange trailer

Description To separate header, detail and summary sections of a message.

Definitions

	Element	EDIFACT	Grundfos specifics
0036	Interchange control count	M an..6	The count of the number of messages.
0020	Interchange control reference	M an..14	Shall be identical to 0020 in UNB segment.

Example Example:
UNZ+1+16244030'

Inventory report message example

**Inventory report
message
example**

UNA:+.? '
UNB+UNOA:3+ANIXTER+5708601000836:14+070525:1129+16244030++INVRPT'
UNH+051831119+INVRPT:D:96A:UN'
BGM+35+5231142543'
DTM+137:20060111:102'
NAD+SU++Anixter Fasteners'
RFF+ADE:359523'
LIN+1++00ID1992:IN'
QTY+155:10.000:PCE'
RFF+CO:4502392823:20'
UNT+9+051831119'
UNZ+1+16244030'
